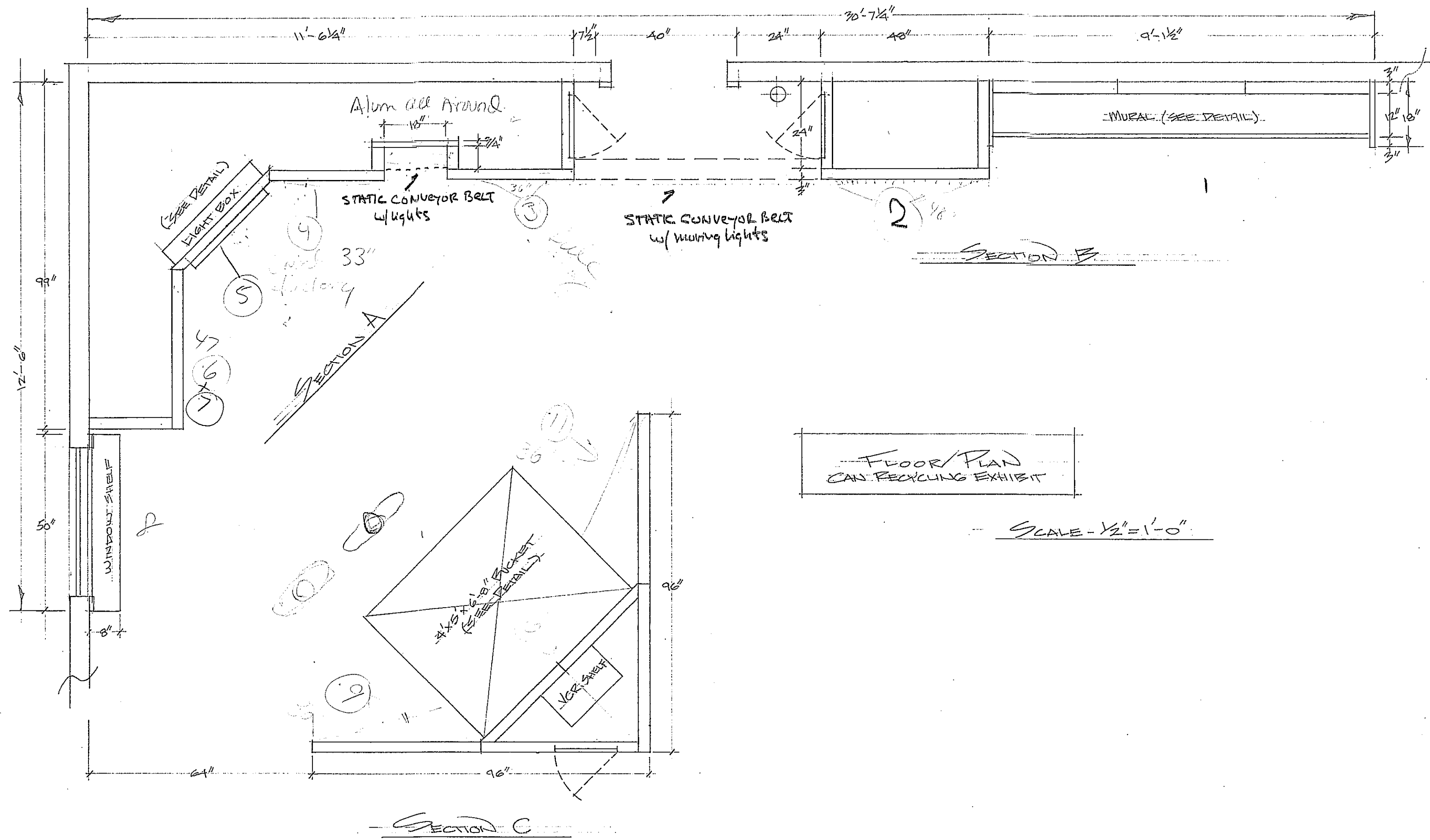
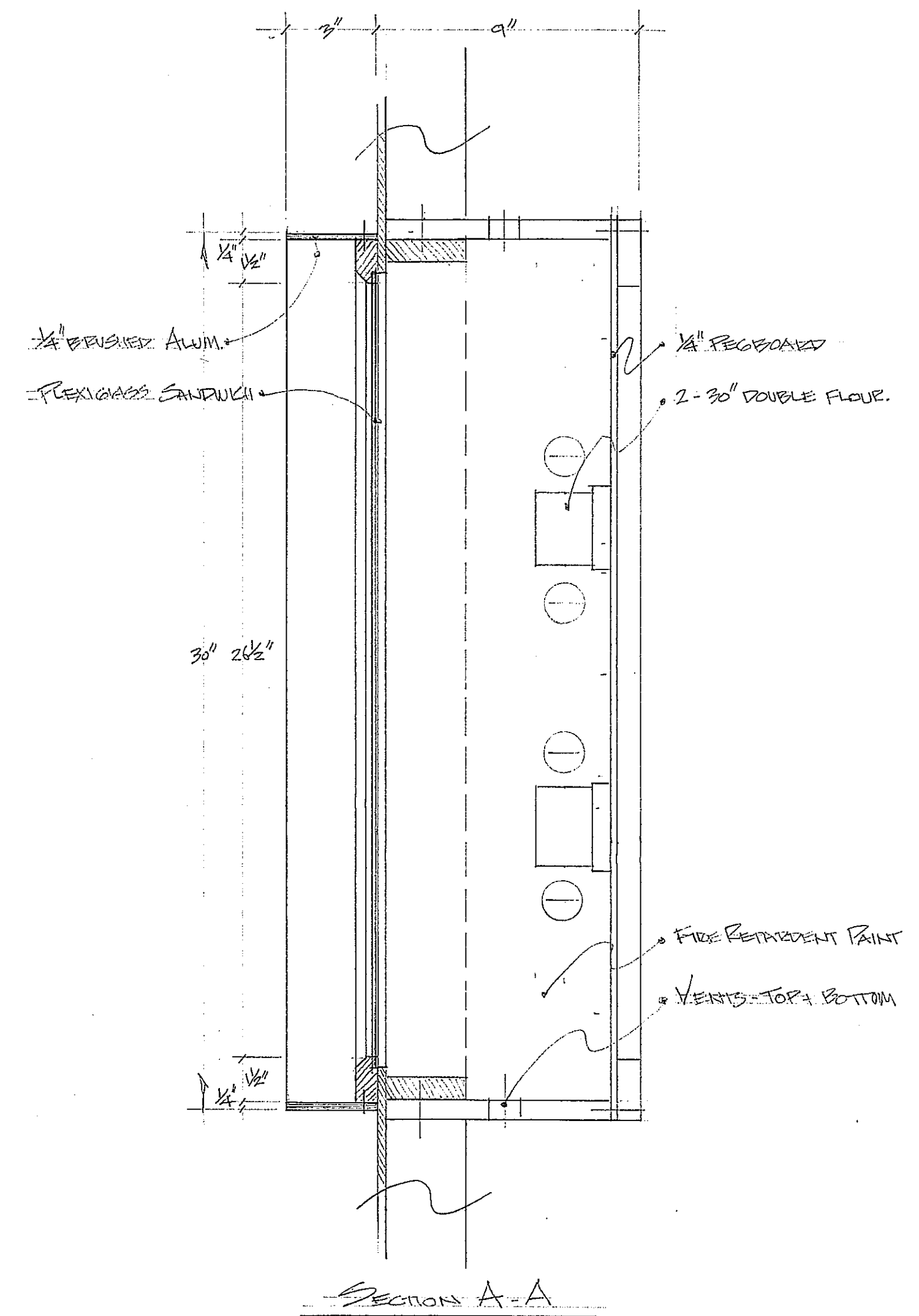
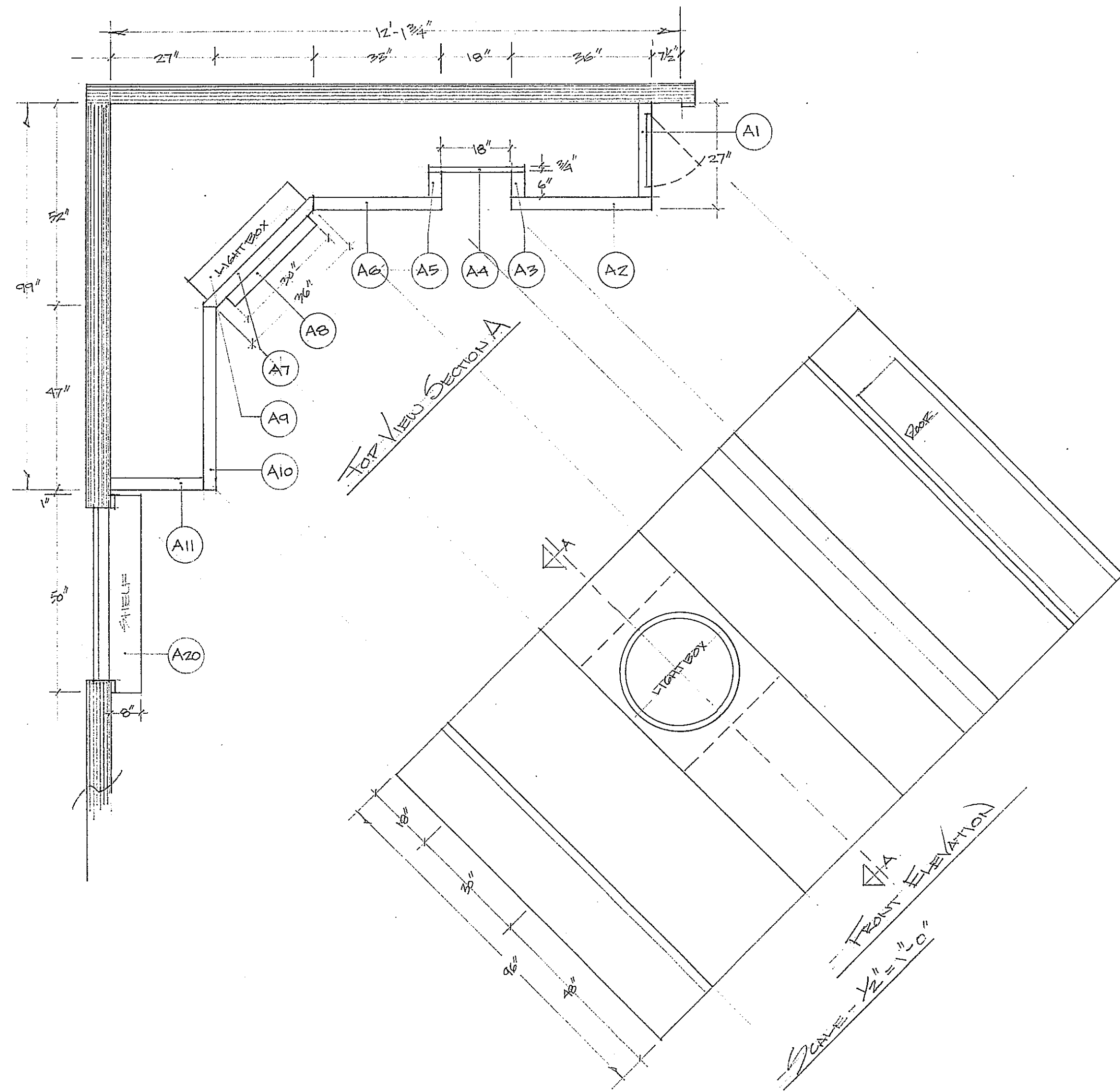
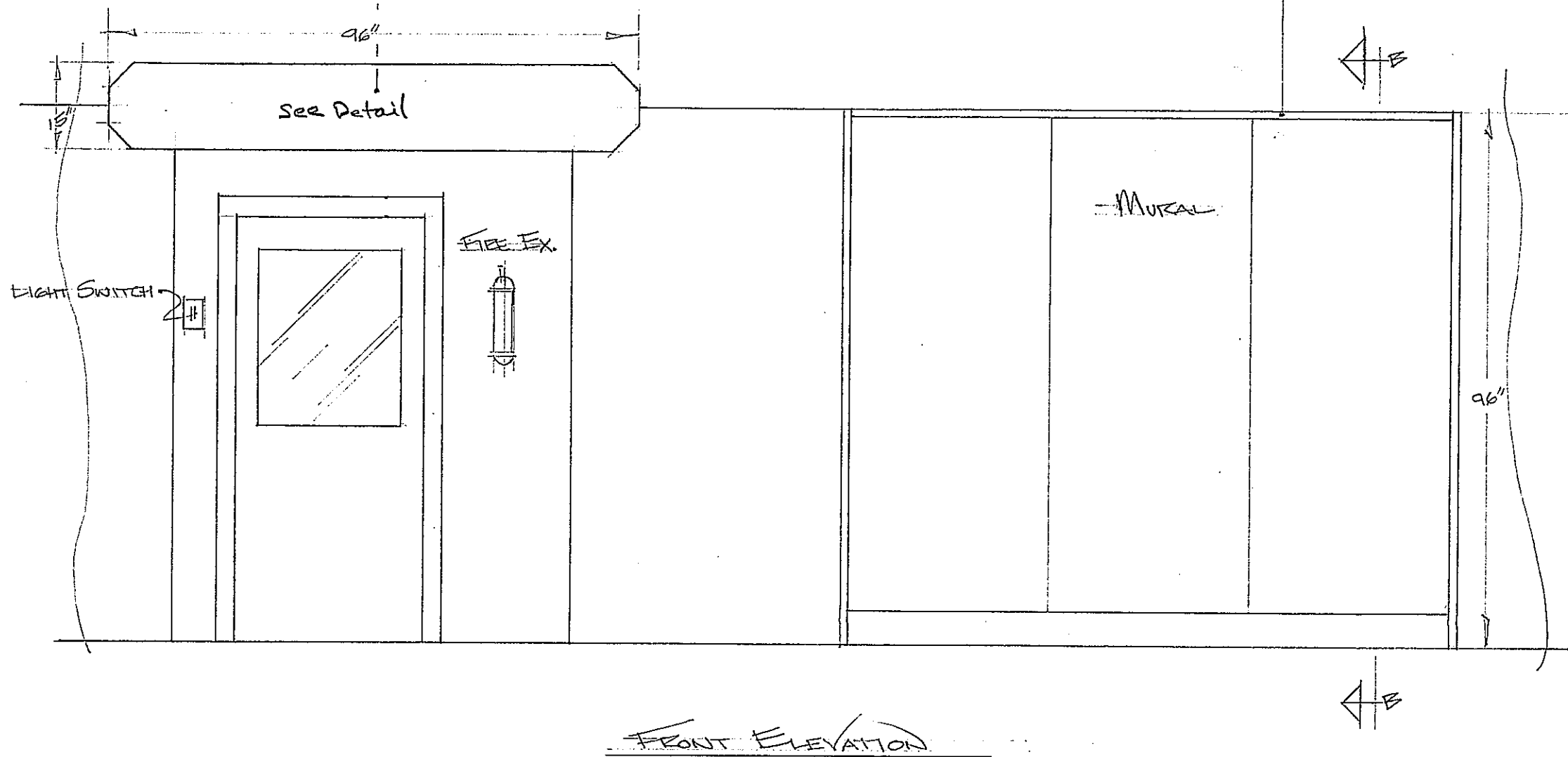
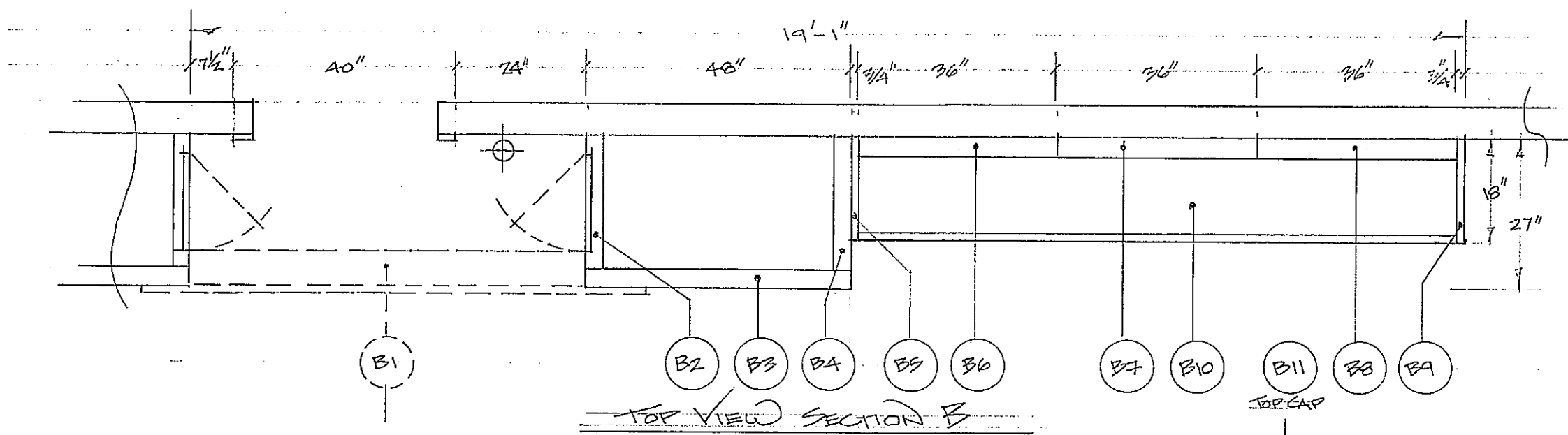


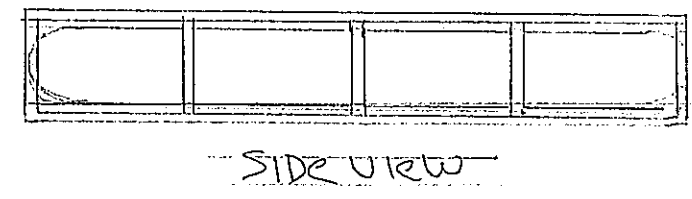
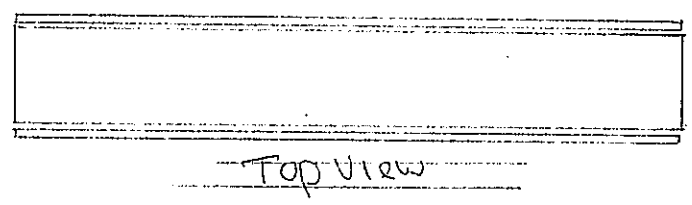
Exhibit B2: Existing Trash Museum Drawings (5 pages)



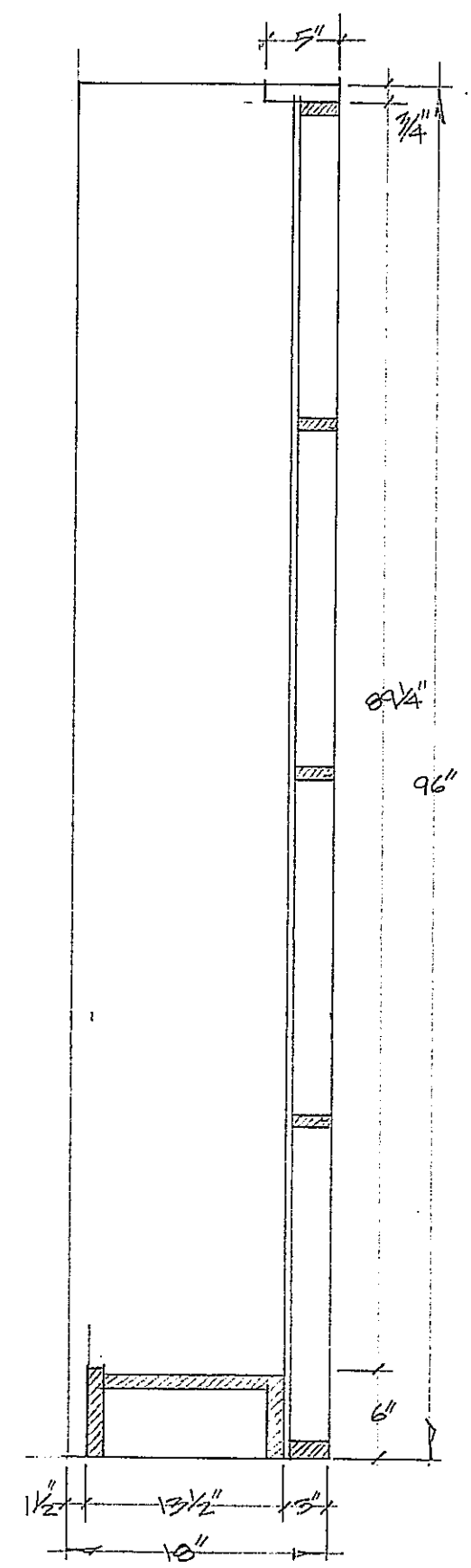




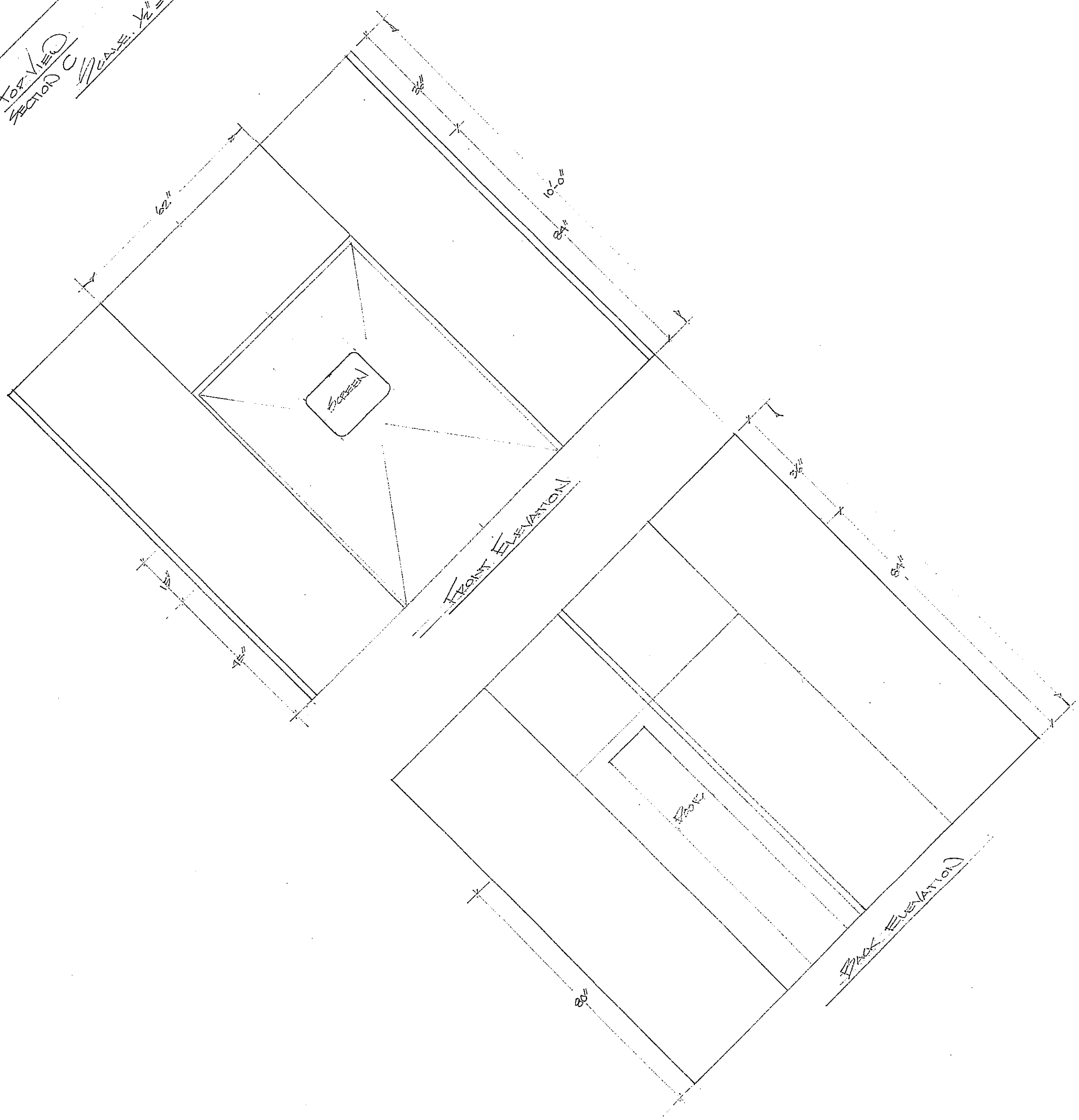
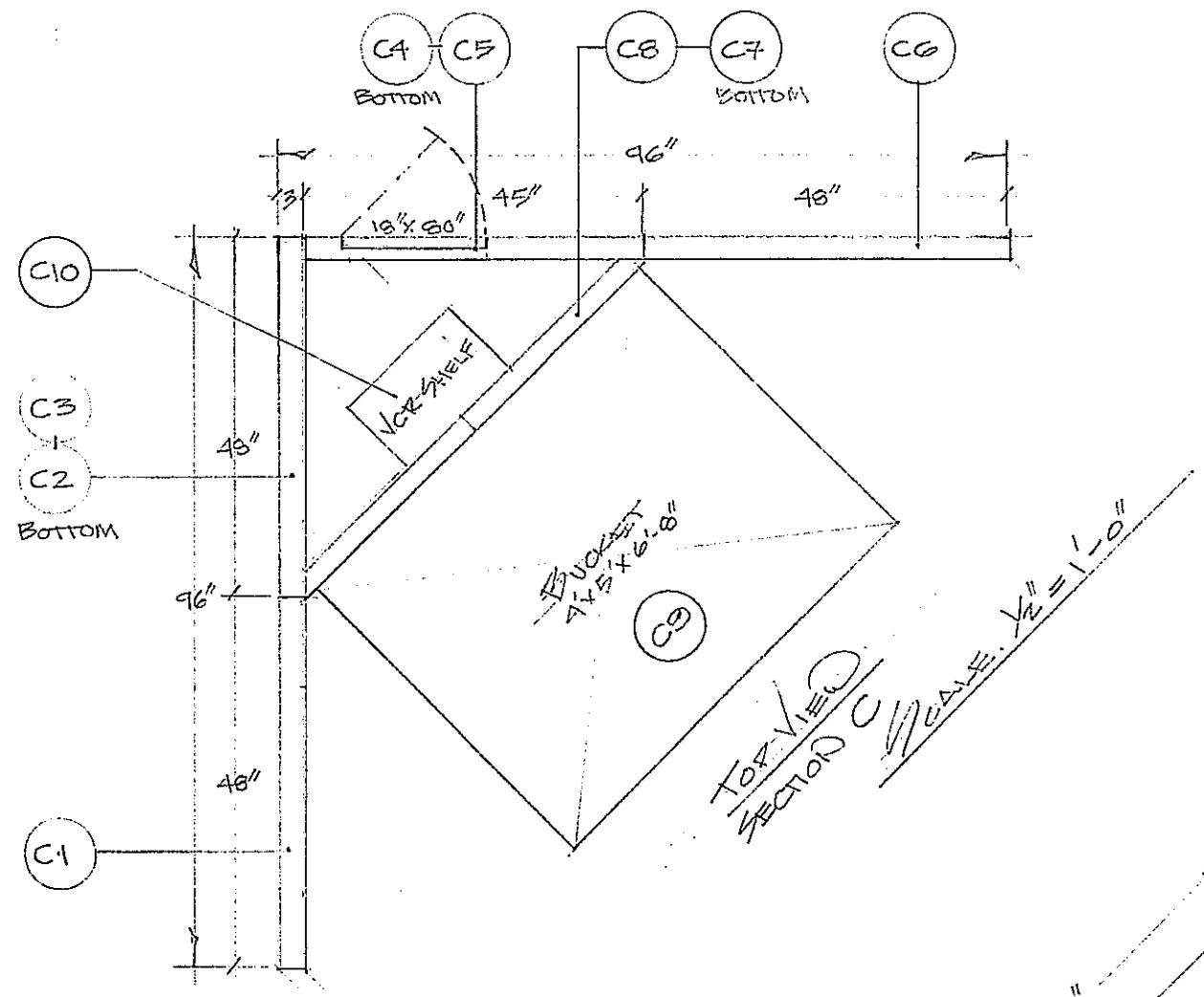
SCALE = 1/2" = 1'-0"

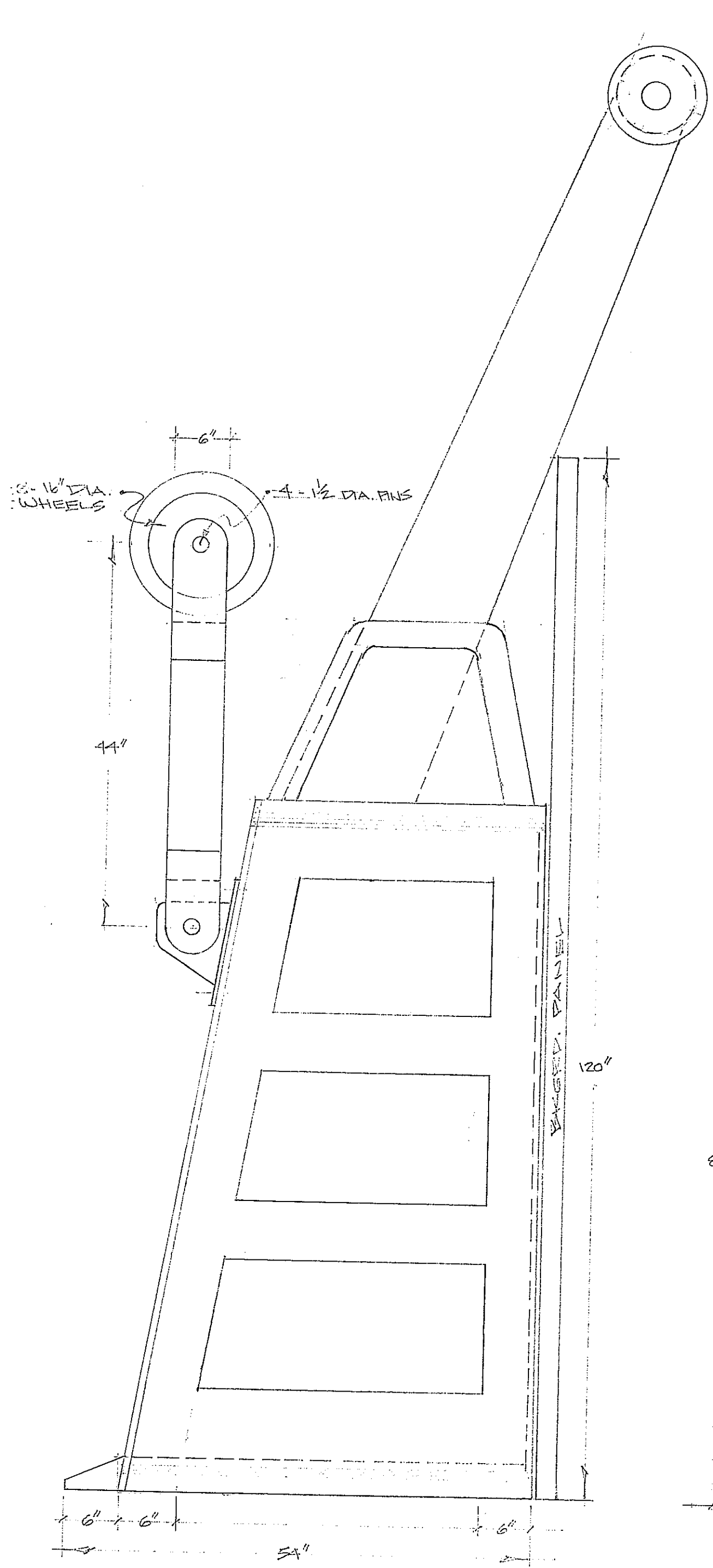


STATIC
CONVEYOR BELT
w/ "MOVING" LIGHTS



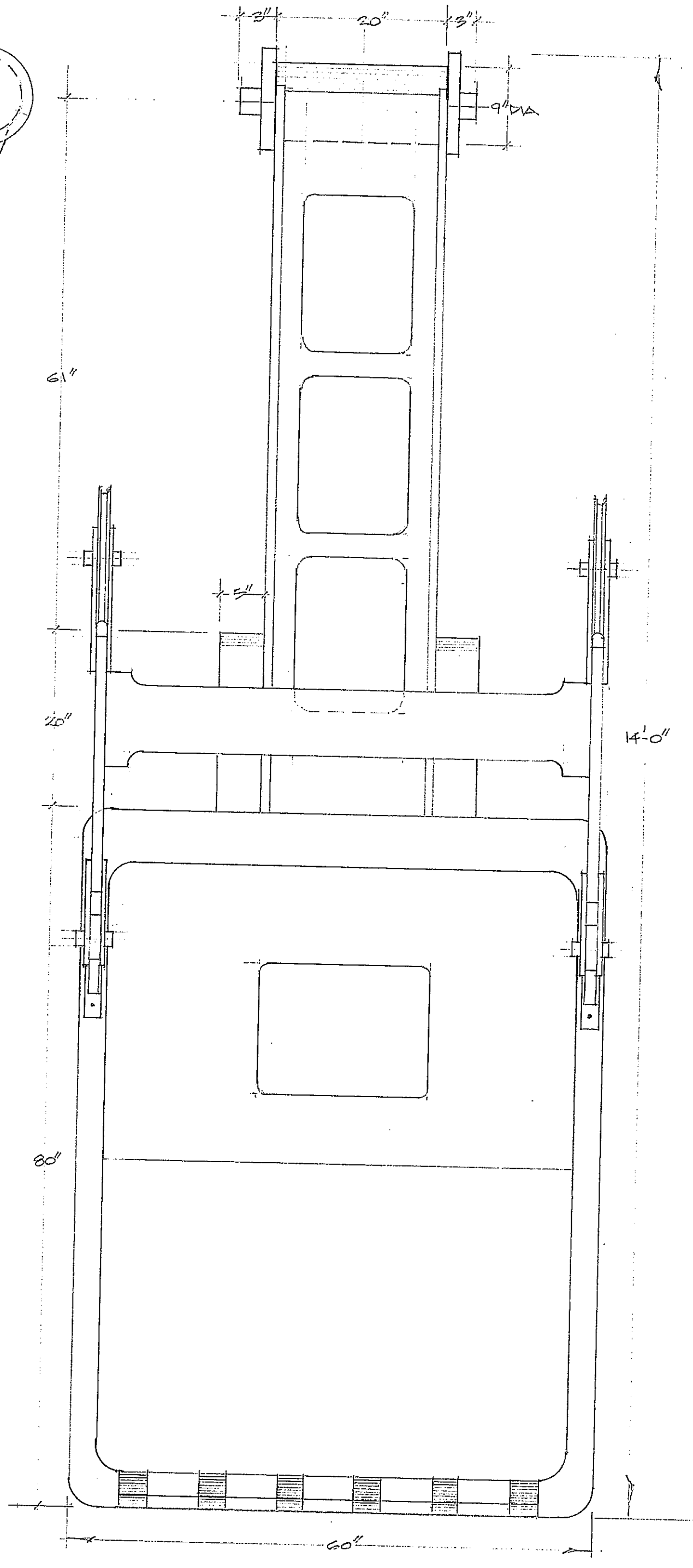
SCALE = 1" = 1'-0"



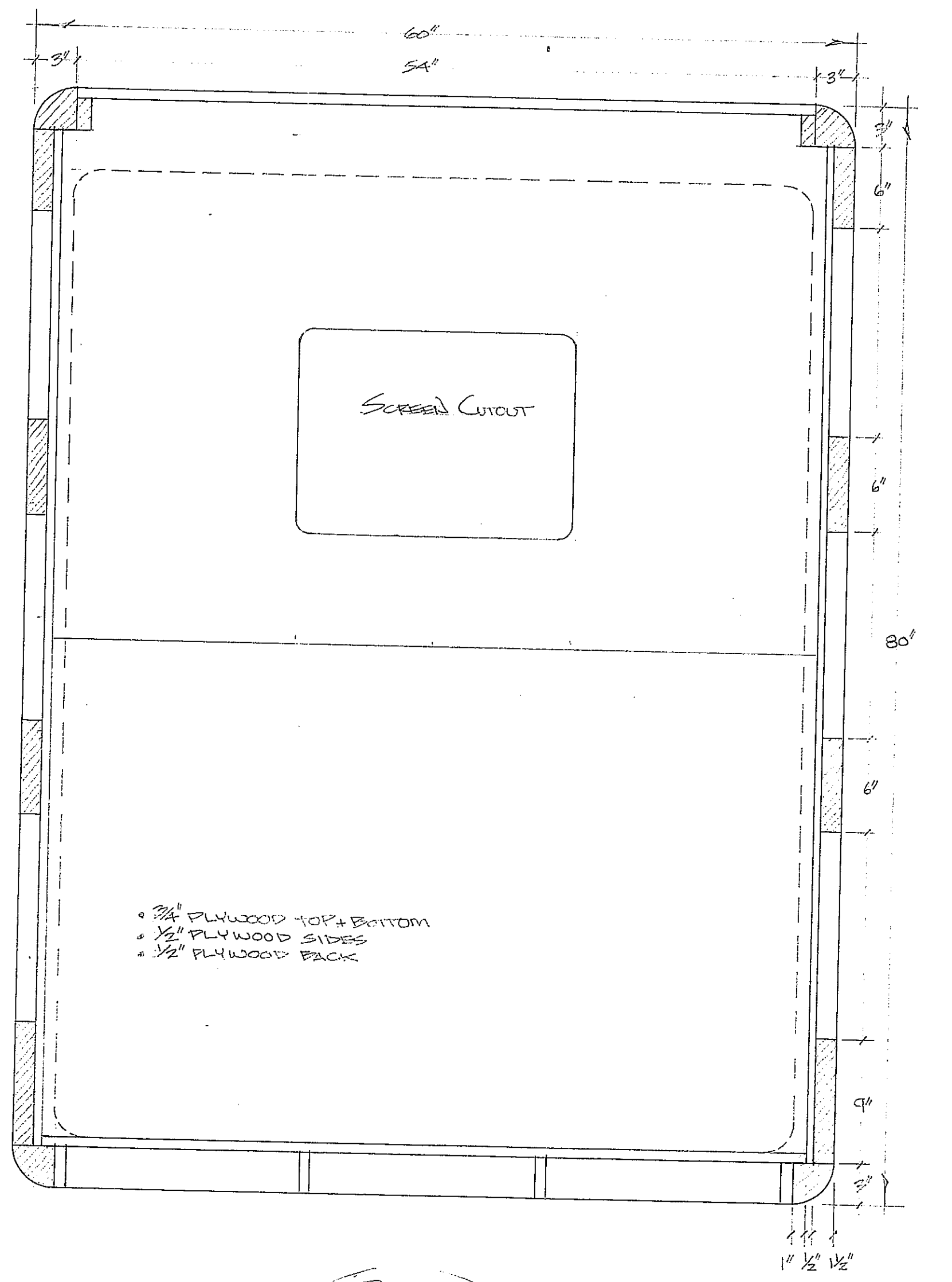


SIDE VIEW

SCALE - 1" = 1'-0"



FRONT ELEVATION



SECTION

SCALE - 1 1/2" = 1'-0"

Bucket Design (C9)